



Yavapai Signal

The Yavapai Amateur Radio Club – Prescott, Arizona – DM-34 – Volume 40 – No. 12 — December 2025

Upcoming Club Events				
Event	Date	Time	Place	Contact / Info:
Annual Dinner	December 4, 2025 Thursday	Door opens, 1700 MST 5 p.m. Meal starts, 1730 MST 5:30 p.m.	Freeman Building, Prescott Rodeo Grounds	Club Website
YARC Breakfast	December 18, 2025 Thursday	0800 MST 8 a.m.	Backburner Restaurant, Prescott Valley	Don WB7TPH or Jeff WB7RFY
Transmitter Hunt	December 6, 2025 Saturday	1300 MST 1 p.m.	OneAZ Credit Union parking lot, Gail Gardner Way & Willow Creek Rd., Prescott	Pete K6VVR or John WB9VGJ
General Meeting Programs — See page 4.				
Public Service Communications — See page 5.				
Amateur Radio License Testing — See page 4.				

YARC Badges Show Your Name and Call Sign
To order, go to the website:
https://www.hamcrazy.com/index.php?main_page=product_info&cPath=14_20_74&products_id=500



Welcome to the Yavapai Amateur Radio Club

The Yavapai Amateur Radio Club (YARC) is an ARRL affiliate Special Service Club. The club participates in many activities in the quad-city (Prescott, Prescott Valley, Chino Valley, and Dewey-Humboldt) area by providing communications for local events, emergency communications, and promotion of the hobby throughout the community.

Membership in YARC is open to any interested amateur or non-amateur alike. Dues are \$20.00 per year (full-time students \$15). YARC general meetings are usually at 1900 MST (7 p.m.) on the first Thursday of every month at the Danny Freeman Building, Prescott Rodeo Grounds, 840 Rodeo Drive in Prescott

www.w7yrc.org

YAVAPAI AMATEUR RADIO CLUB – PO BOX 11994 – PRESCOTT AZ 86304-1994

Club Nets — Revised, July 27, 2024

Band	Mode	Frequency	PL	Day or Night	Time
2M 70cm	FM	146.880 MHz 447.650 MHz	- 100.0 Hz	Monday	1200 MST 12:00 noon
2M 70cm	FM	146.880 MHz 447.650 MHz	- 100.0 Hz	Wednesday	1900 MST 7 p.m.
2M	SSB (USB)	144.250 MHz	N/A	Monday	1900 MST 7 p.m.
6M	SSB (USB)	50.140 MHz	N/A	Friday	1900 MST 7 p.m.
10M	SSB (USB)	28.444 MHz +/- QRM	N/A	Thursday	1900 MST 7 p.m.

Yavapai County ARES/RACES Nets

2M	FM	147.260 MHz	+103.5 Hz	Monday	1830 MST 6:30 p.m.
2M	FM	145.290 MHz	-127.3 Hz	Monday	1900 MST 7 p.m.

Submission Deadline for the Yavapai Signal

from editor Loren Singh, AE7CG

The usual deadline for submission of articles and photos to appear in the Yavapai Signal is the 18th calendar day of each month. That gives me time to edit and format submissions, and to have the newsletter available for distribution to the club membership by the 20th calendar day of each month. The aim is to have the newsletter in the hands of club members approximately 10 days or so before the holding of the general meetings on the first Thursday of each month.

ae7cg@arrl.net

Share Your Surplus Items

Bring any ham related surplus items that you no longer need to the next club meeting. There will be a table at the meeting where your items can be placed. Let your fellow club member take those things that they want. The table will be available at each monthly meeting.





From the President's Desk
by Byron Wilkinson, WD7J
president@w7yrc.org

YARC Opportunities

Opportunity is always knocking at the Yavapai Amateur Radio Club. As an ARRL Special Service Club, we have certain goals to meet each year, like development and training, emergency communication, and technical advancement. In the process, we hope to provide a satisfying amateur radio experience for our members.

Our mission statement reflects these goals: "Increasing our members' knowledge, mastery, and enjoyment of amateur radio communication while serving the Yavapai County community by assisting in emergencies and public service events."

We provide many opportunities to achieve these goals for the club and our members. Below are listed a few. You can browse our website (<https://www.w7yrc.org/>) for more.

Each year there are several public service events. You can find them at <https://www.w7yrc.org/public-service-events/>. New participants are always welcome, and every effort is made to provide a good learning experience. In most cases, only a handheld transceiver (HT) is needed. And we have a club member who specializes in getting your HT programmed to work with the repeaters in our area. Email radioprogramming@w7yrc.org for assistance with programming your HT.

Another excellent opportunity to gain experience in the art of radio communication is our Wednesday Night Net at 1900 hours MST. We are happy to accept volunteers to act as Net Control for an evening. Some public service experience is helpful in this case, but I only had done about ten public service events before I started. We even have a script that serves as a template for the task. Email president@w7yrc.org for more information.

We could use some additional help in our license classes. We hold about four per year: two Technician and two General. Each class lasts two Saturdays. If we had more people available to teach, we could spread the work out for our existing teachers so they would not have to carry the full load. This activity would be best for someone who is comfortable making presentations and sharing their amateur radio experience. We have prepared slides, so no lesson plan is needed, just a willingness to present the material. These classes provide an enjoyable way for students to be introduced to the test questions and prepare for the license examination. Email classes@w7yrc.org for more information.

If you like working with young people, we have a Youth Club. This is an opportunity to advance amateur radio with future generations. Contact YouthClub@w7yrc.org if you would like to explore that area of service.

And remember, stay "radio active."

New Membership Website
by Joe Thomas, KG6IDN

When directed to <http://hamclubonline.com/> you may need a new password — just click on "Forgot Password" and enter your call sign. If you don't have a call sign yet, use your appropriate email address. An email with instructions will be sent to you which may be the email address that the FCC has for you.

Send replies to VicePresident@w7yrc.org .

Mentor Buddies — Revised July 31, 2024
by Bill Noe, WG7W

Name	Call Sign	E-mail	Telephone
Don Bauer	WB7TPH	dbauer2250@aol.com	928.775.4690
Art Protas	KG6AY	kg6ay.dm34@gmail.com	928.227.2954
Jerry Warzeha	W7FNC	jerry.warzeha@hotmail.com	612.205.3810
Bill Noe	WG7W	wq7w@arrl.net	928.710.6925
Mike Belanger	W1DGL	fix_broken_airplanes@hotmail.com	928.458.9346
Ron Purcell	KI7EVK	728rwp@gmail.com	707.849.7099

Upcoming General Meeting Programs, 2025-2026
by Joe Thomas, KG6IDN

<u>Month:</u>	<u>Program:</u>
December 4	YARC Christmas Dinner
January 8	"HF Propagation," Frank Bender K8FB
February 5	"Public Service Training Highlights" and sign-ups, Joe Thomas KG6IDN
March 5	"ARES / RACES Presentation," Bud Semon N7CW
April 2	"AED Presentation," Jarime Sarge, Prescott Fire
May 7	"Rving with Ham Radio," Joe Thomas KG6IDN

Yavapai Amateur Radio Club (YARC) — License Testing Sessions, 2025
by David Erlach, N5MB

n5mb@arrl.net
rocketdog@dslextreme.com
928.239.1083

2025 In-Person Testing Schedule

Please note that ALL testing sessions require pre-registration. Register by using the following link:

<https://hamstudy.org/sessions/arrl/86305/inperson>

**6 December (Sat) – Yavapai ARC – 9:00 AM – Jeep Posse Bldg.
1200 Commerce Drive, Prescott**





Yavapai Amateur Radio Club at Chino Valley Night Out Event, October 7, 2025
 Front Row, Left to Right: N5MB, KT7P, KK7SGC, KM7CEZ, AI1K, W1RAD
 Back Row, Left to Right: KJ4JKV, KK7NNK, WB7NRM, WD7J, WAØA
 (Photo courtesy of Bernie Sakowicz W1RAD)

Public Service Training
 by Joe Thomas, KG6IDN

YARC is pleased to announce its first public service training. It will be held at the Jeep Posse building ([1200 Commerce Dr., Prescott, AZ 86305](https://www.google.com/maps/place/1200+Commerce+Dr,+Prescott,+AZ+86305)) on Saturday, March 14, 2026. The 2-hour session is tentatively scheduled to start at 2 p.m. Training will address the question, "What is Public Service, and Why?". Information about prior preparation and required equipment will be forthcoming. If you are interested in volunteering for this activity, sign-ups will be available at our YARC general meetings on January 8 and February 5, 2026.



Youth Club
 Youth Yavapai Amateur Radio Club

2025 YARC Lifetime Membership Awards
 by Frank Bender, K8FB

At the November YARC general meeting, Heather Anderson W8GEM and David Anderson K1AN were presented with the 2025 YARC Lifetime Membership Awards for their dedicated and exceptional service to amateur radio, international friendship and understanding, community involvement, and youth participation. Heather and David are the adult leaders of the YARC Youth Amateur Radio Club. Congratulations!



Top Photo, Left to Right: Youth Radio Club Presenters ▲ Luke KK7ZWT, Tristan KK7LYR, and Benji.
Lower Photo: Life Membership Award, recipient Heather W8GEM with presenter Jeff WB7RFY.
(Photos courtesy of Fernando Mendigutia, KJ7QHI) - 6 - Yavapai Signal December 2025



Yavapai Amateur Radio Club General Meeting, ▲ November 6, 2025 ▲ Prescott, Arizona
 Top Row, Left to Right: Benji, KG6IDN, KK7SGC, N7CW; Lower Row, Left to Right: W8GEM, WB7RFY, WD7J, WU7V.
 (Photos courtesy of Fernando Mendigutia, KJ7QHI)

YARC Annual Dinner — December 4, 2025

This year the dinner will take the place of the **December 4** general meeting. The dinner will be in the Freeman Building at the Prescott Rodeo Grounds. The **door will open at 5 p.m. (1700 MST), and the dinner will start at 5:30 p.m. (1730 MST)**. The dinner will be catered by OHANA Hawaiian Barbecue, and the **cost will be \$15 per adult and \$5 for children under the age of 18.**

The dinner will be:

Appetizer (You get to choose):

- ▲ Crab Rangoon or Egg Roll

Entrées (You do not have to choose):

- ▲ Lemon Pepper Chicken Breast
- ▲ Hawaiian Barbecue Sliced Beef
- ▲ Kailua Pulled Pork

Sides:

- ▲ Macaroni Salad
- ▲ Steamed White Rice
- ▲ Soft Drinks, Water, and Coffee
- ▲ Cupcakes for Dessert

You must make your reservation for the dinner on the club web page www.w7yrc.org under the heading STORE or send a check to the Treasurer at:

Yavapai Amateur Radio Club
 Matt Williams, KK7QZB
 P.O. Box 11994
 Prescott, AZ 86305

The **deadline for reservations** will be at the **end of the business day (5 p.m. / 1700 MST) on Friday, November 28, 2025**. This will give us plenty of time to let the caterer know our final headcount.

You **must** make a reservation! No walk-ins will be allowed!



November 2025 Foxhunt
by John Broughton, WB9VGJ

The November foxhunt was held Saturday, November 8, 2025. The foxes were Pete K6VVR and Jerry K7JRL.. There were four teams for this hunt:

1	Stan AI7IT and Pam AJ7CU
2	Jeff WB7RFY, Keith KJ7GTX, and John WB9VGJ
3	Liam KN6QXK and Andrew KN6ZFI
4	Robert WA6FBA, Don KI7IOM, and Fernando KJ7QHI

The results of the hunt were:

Finish	Team	Time
1	2	41 min.
2	1	2 hr. 42 min.
—	3	DNF
—	4	DNF

The hiding spot was near the end of the south street in the new Springfield development on the west side of the intersection of Pioneer Parkway and Williamson Valley Rd. Although it will be a gated community, it is just getting ready for construction of homes. The street it was on was recently blacktopped. It winds quite away around to the back of the hills.

We had rather weak signals during our hunt and lost it sometimes. It only got strong when we got over the last hill on Pioneer Parkway heading downhill to the intersection. It got stronger as we rounded the south side of the hill.

Here are pictures I took at the hiding location:

<https://photos.app.goo.gl/yZr2QUQz3TkMKdKy9>

Fernando, KJ7QHI took pictures that can be seen here (Thanks, Fernando):

<https://photos.app.goo.gl/5HTE3D6ePSrEuyv99>

We went to the Prescott Junction restaurant for socializing after the hunt.

We invite anyone interested in foxhunting, especially anyone who has not done it before, to join us.



NRA 154th Birthday Day Special Event Station — K7GST, CW Operation
by Loren Singh, AE7CG

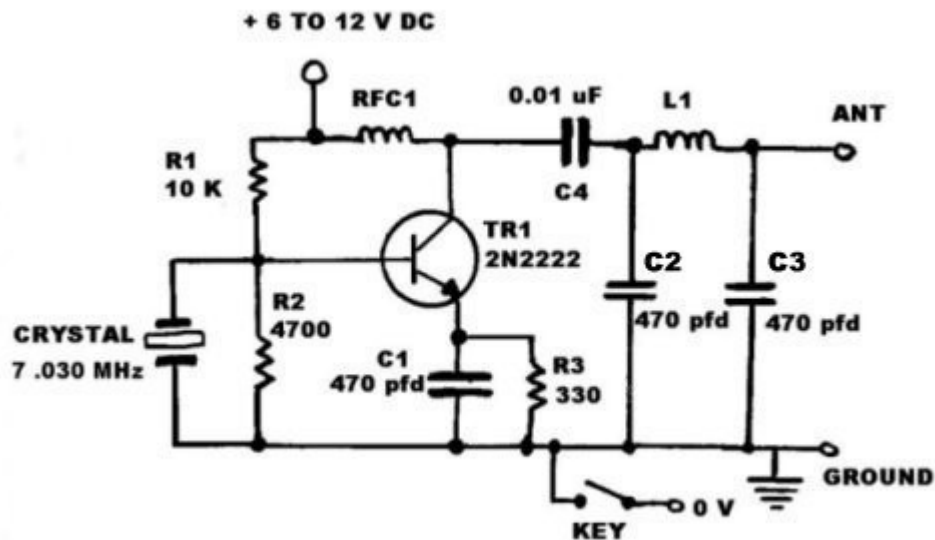
The NRA 154th Birthday special event station operations were held on Monday, November 17, 2025: the voice operation was held at the Gunsite Academy (K7GST) in Paulden, and the CW operation at the home location of AE7CG in Prescott Valley.

On the 14 MHz (20M) band, CW operating conditions were not favorable. The static noise level (QRN) was high, and came in waves. Only during dips in the static waves could ordinary signals get through. But of course, the “corn-fed kilowatts” with directional antennas mounted on high towers could still be heard through the noise. A good word can still be said about monster operators when conditions are bad!

In 3 hours and 40 minutes, I made 8 contacts in California, Arizona, New Mexico, Texas, and Kansas. Being able to make any contacts while pounding a straight key is always the greatest of fun.

Heard on the Knobby Knee Net
W7EI/r, 147.220 MHz, PL +162.2 Hz, Daily 0700 MST (7 a.m.)
by Loren Singh, AE7CG

- ▲ Leo KF7KXH: Words of Wisdom: “Never change lanes in a roundabout.”
- ▲ Michael W1ATQ: “W1ATQ, foot Mow Bile, out on the trail, looking for existential threats....”
- ▲ David KB7KMR: “My goodness, there’s RF coming in on the power lines!”
- ▲ Ron N6XT: “Stay hydrated, my friends. See you all mañana.”



The DX Store

sales@dxstore.com

www.dxstore.com



Breakfast and Lunch Gatherings

There are a number of breakfast and lunch gatherings in the area that are open to all radio amateurs and interested persons. Please let us know of any updates or corrections at info@w7yrc.org.

Third Thursday of the Month – YARC holds an informal **breakfast** gathering at the **BackBurner** Restaurant at 0800 MST (8 a.m.). The restaurant is at 8400 Long Mesa Drive in Prescott Valley. Contact Don Bauer WB7TPH or Jeff Hanna WB7RFY.

Every Wednesday – Lunch – 1030 MST (10:30 a.m.) at **Costco** – “The Umbrella Club,” now **with** the umbrellas!

Club Officers, 2026

Officer	Name	Call Sign	Email Address
President	Byron Wilkinson	WD7J	president@w7yrc.org
Vice President	Dwight Savage	KK7SGC	vicepresident@w7yrc.org
Treasurer	Matt Williams	KK7QZB	treasurer@w7yrc.org
Secretary	Tim Norton	K7PVY	secretary@w7yrc.org
Director	John Snedden	KT7P	kt7p@w7yrc.org
Director	Jon Mahler	KK7OKE	kk7oke@w7yrc.org
Director	Bernard A. Sakowicz	W1RAD	w1rad@w7yrc.org
Director	David Erlach	N5MB	n5mb@w7yrc.org
Past President / Director	Raymond Kolman	KD7RK	kd7rk@w7yrc.org
Editor Emeritus	Joseph Oliver	AC6AA	ac6aa@arrl.net
Editor	Loren Singh	AE7CG	ae7cg@arrl.net
Webmaster	Robert Reister	WA6FBA	webmaster@w7yrc.org

Yavapai Amateur Radio Club — W7YRC Club Station Access List — Revised August 28, 2025				
Permanent Station Access (defined by YARC role) —				
Name:	Call:	Lic. Class	Notes:	Telephone:
Byron Wilkinson	WD7J	E	YARC President	949.322.6221 – Do not contact for access
John Snedden	KT7P	E	YCJP Bldg. Mgr.	909.844.5108 – Do not contact for access
Mike Belanger	W1DGL	E	Club Sta. Mgr.	928.458.9346 – OK to contact for access
Pete Morrison	K6VVR	E	W7YRC Trustee	928.899.8555 – Do not contact for access
Bud Semon	N7CW	E	ARES/RACES DEC	928.899.7400– Do not contact for access
Rob Redford	KG7LMI	G	ARES/RACES EC	623.252.3980– Do not contact for access
Jim Zimmerman	N6KZ	E	Elmer Group	928.713.0542 – OK to contact for access
Art Protas	KG6AY	E	Elmer Group	928.227.2954 – OK to contact for access
Building Access for Other Reasons (includes station access) —				
Donald Bauer	WB7TPH	E	VE Chair	928.775.4690 – Do not contact for access
Kathy Laing	KJ6KMK	E	License Classes	928.778.2526 – Do not contact for access
Rotating Access (changes every July 1st) —				
This category is limited and consists of volunteer members —				
Tony Jackson	K6PSR	G	Rotating Member	562.644.0528 – OK to contact for access
Note to YARC Members — For station access, first try to contact the Rotating Access member. If you are not able to contact the Rotating Access member, then try to contact the other “OK to contact for access” members.				

