



Yavapai Signal

The Yavapai Amateur Radio Club – Prescott, Arizona – DM-34 – Volume 40 – No. 5 — May 2025

| Upcoming Club Events | | | | |
|----------------------------------------------------|--------------------------|--------------------|----------------------------------------------------------------------------------------|------------------------------|
| Event | Date | Time | Place | Contact / Info: |
| General Meeting | May 1, 2025 Thursday | 1900 MST 7 p.m. | Freeman Building, Prescott Rodeo Grounds | Club Website |
| YARC Breakfast | May 15, 2025 Thursday | 0800 MST 8 a.m. | Backburner Restaurant, Prescott Valley | Don WB7TPH or Jeff WB7RFY |
| Transmitter Hunt | May 3, 2025 Saturday | 1300 MST 1 p.m. | OneAZ Credit Union parking lot, Gail Gardner Way & Willow Creek Rd., Prescott | Pete K6VVR or John WB9VGJ |
| General Meeting Programs — See page 4. | | | | |
| Public Service Communications — See page 5. | | | | |
| Amateur Radio License Testing — See page 6. | | | | |

| YARC Badges Show Your Name and Call Sign |
|-----------------------------------------------------------------------------------------------------------------------------------------------------------------------------------------------------------------|
| To order, go to the website: |
| https://www.hamcrazy.com/index.php?main_page=product_info&cPath=14_20_74&products_id=500 |



Welcome to the Yavapai Amateur Radio Club

The Yavapai Amateur Radio Club (YARC) is an ARRL affiliate Special Service Club. The club participates in many activities in the quad-city (Prescott, Prescott Valley, Chino Valley, and Dewey-Humboldt) area by providing communications for local events, emergency communications, and promotion of the hobby throughout the community.

Membership in YARC is open to any interested amateur or non-amateur alike. Dues are \$20.00 per year (full-time students \$15). YARC general meetings are usually at 1900 MST (7 p.m.) on the first Thursday of every month at the Danny Freeman Building, Prescott Rodeo Grounds, 840 Rodeo Drive in Prescott

www.w7yrc.org

YAVAPAI AMATEUR RADIO CLUB – PO BOX 11994 – PRESCOTT AZ 86304-1994

Club Nets — Revised, July 27, 2024

| Band | Mode | Frequency | PL | Day or Night | Time |
|------------|-----------|----------------------------|------------|--------------|------------------------|
| 2M 70cm | FM | 146.880 MHz 447.650 MHz | – 100.0 Hz | Monday | 1200 MST 12:00 noon |
| 2M 70cm | FM | 146.880 MHz 447.650 MHz | – 100.0 Hz | Wednesday | 1900 MST 7 p.m. |
| 2M | SSB (USB) | 144.250 MHz | N/A | Monday | 1900 MST 7 p.m. |
| 6M | SSB (USB) | 50.140 MHz | N/A | Friday | 1900 MST 7 p.m. |
| 10M | SSB (USB) | 28.444 MHz +/- QRM | N/A | Thursday | 1900 MST 7 p.m. |

Yavapai County ARES/RACES Nets

| | | | | | |
|----|----|-------------|-----------|--------|-----------------------|
| 2M | FM | 147.260 MHz | +103.5 Hz | Monday | 1830 MST 6:30 p.m. |
| 2M | FM | 145.290 MHz | –127.3 Hz | Monday | 1900 MST 7 p.m. |

Submission Deadline for the Yavapai Signal

from editor Loren Singh, AE7CG

The usual deadline for submission of articles and photos to appear in the Yavapai Signal is the 18th calendar day of each month. That gives me time to edit and format submissions, and to have the newsletter available for distribution to the club membership by the 20th calendar day of each month. The aim is to have the newsletter in the hands of club members approximately 10 days or so before the holding of the general meetings on the first Thursday of each month.

ae7cg@arrl.net

Share Your Surplus Items

Bring any ham related surplus items that you no longer need to the next club meeting. There will be a table at the meeting where your items can be placed. Let your fellow club member take those things that they want. The table will be available at each monthly meeting.





From the President's Desk
by Byron Wilkinson, WD7J
president@w7yrc.org

The 2025 Prescott Hamfest is Almost Here

Hamfests are a great opportunity to support the club by purchasing raffle tickets and volunteering to help with the event. They are also good events for winning prizes, buying various radio items, selling items you no longer need, and visiting with your friends in the ham community. This year's Hamfest is scheduled for Saturday, May 31, 2025 at 7:30 a.m. (0730 MST).

Our May membership meeting will be the last meeting where you can buy 2025 raffle tickets. The good news is that you will still be able to purchase raffle tickets online at <https://prescotthamfest.com/grand-prizes/> until May 29 and you will also be able to buy raffle tickets at the Hamfest itself. The grand prizes this year are:

- ▲ YAESU FTDX10 HF/6M Hybrid SDR CW/SSB/DATA
- ▲ Kenwood TH-D75A VHF/UHF/220 Digital Handheld Transceiver
- ▲ Comet CAA-500 Mark II Antenna Analyzer – 500 MHz
Donated by: The DX Store and Comet Antennas
- ▲ DX Engineering \$100 Gift Certificate

We still need some volunteers. You can sign up at the next membership meeting or by contacting Bill Kienzle K7UHI at wek10@comcast.net. This year we have a special prize drawing just for the volunteers, an Anytone Dual-Band Analog/DMR Handheld Transceiver with GPS and APRS.

If you have some older radio equipment that you would like to sell through our consignment booth at the Hamfest, you can find instructions on how to do this at <https://prescotthamfest.com/consignment/>. You will need a Consignment Sales Form which can be found at <https://prescotthamfest.com/wp-content/uploads/2021/12/Consignment-Sales-Form-2022.pdf>. For any questions regarding consignment sales, you can contact Jim Zimmerman N6KZ at n6kzdx@gmail.com.

Alternately, if you have a lot of items to sell, you can reserve up to five tailgate spaces at the Hamfest. You can register online at <https://prescotthamfest.com/tailgating/> or contact Bernie Sakowicz W1RAD at azgarand@gmail.com.

This year our Hamfest will feature:

- ▲ Grand Prize Raffle Drawings at 1130 MST. You need not be present.
- ▲ Hourly Prize Drawings - ticket reused for Grand Prize drawing. You must be present to win.
- ▲ Tailgate Swapfest
- ▲ Consignment Sales
- ▲ Youth Club Table
- ▲ VE License Exams
- ▲ Satellite Communication Demonstrations
- ▲ Coffee and Donut Sales

This year, we will be at a new location - Bradshaw Mountain High School (only a few miles from last year's location) at 6901 East Panther Path, Prescott Valley, AZ 86314.

You can find all the details on our website at <https://prescotthamfest.com>.

Upcoming General Meeting Programs, 2025
by Steven E. Stock, WAØA

| <u>Month:</u> | <u>Program:</u> |
|---------------|------------------------------------------------------------------------------------------------------------------------------------------------------------------------------------|
| May | <p>▲ “Hamfest Plans,” by Byron Wilkinson, WD7J</p> <p>▲ “Hamshack Hotline: a Free Dedicated VOIP Telecommunication Service for the Ham Radio Community”, by Steven Stock, WAØA</p> |

New Membership Website
by Steven E. Stock, WAØA

When directed to <http://hamclubonline.com/> you may need a new password — just click on "Forgot Password" and enter your call sign. If you don't have a call sign yet, use your appropriate email address. An email with instructions will be sent to you which may be the email address that the FCC has for you.

Send replies to VicePresident@w7yrc.org .

Mentor Buddies — Revised July 31, 2024
by Bill Noe, WG7W

| Name | Call Sign | E-mail | Telephone |
|---------------|------------------|----------------------------------------------------------------------------------------|------------------|
| Don Bauer | WB7TPH | dbauer2250@aol.com | 928.775.4690 |
| Art Protas | KG6AY | kg6ay.dm34@gmail.com | 928.227.2954 |
| Jerry Warzeha | W7FNC | jerry.warzeha@hotmail.com | 612.205.3810 |
| Bill Noe | WG7W | wq7w@arrl.net | 928.710.6925 |
| Mike Belanger | W1DGL | fix_broken_airplanes@hotmail.com | 928.458.9346 |
| Ron Purcell | KI7EVK | 728rwp@gmail.com | 707.849.7099 |

Volunteers Needed for Prescott Hamfest
by Bill Kienzle, KJ7UHI

Please volunteer for the Prescott Hamfest 2025 to be held on Saturday, May 31, 2025 from 7:30 a.m. to 12 noon MST at the Bradshaw Mountain High School, 6901 Panther Path, Prescott Valley, AZ 86314.

Here are the areas where help is needed:

- Admission
- Hamfest Central
- Parking
- Set-up and Tear-down

Applications are available from Bill Kienzle KJ7UHI at wek10@comcast.net or at the volunteer table at the monthly YARC general meetings. Have fun, come out and help your YARC comrades create a successful hamfest!



Upcoming Public Service Events by Frank Bender, K8FB

April 25, 26, and 27, 2025 – Whiskey Off Road (WOR) Bike Event

The three-day WOR Bike Event is our premiere public service event. We need 45 to 50 volunteers to support this event. The 15 mile fun ride is on Friday afternoon. The amateur 30 and 50 mile races are on Saturday, and the 50 mile professional races are on Sunday. We are also in need, on all three days, of radio operators who have vehicles who can pick up bikes and riders who are unable to finish the race. There is also a need for side by side/ ATV vehicles with radios to patrol some of the more isolated areas of the race courses. We are also in need of several high clearance, four by four vehicles, to position at remote locations. You can volunteer for one, two, or all three days. The organizer for this event is Frank Bender K8FB (fhb47@hotmail.com) .

July 5, 2025 – Prescott Rodeo Parade

This event is great for saying thank you to the Rodeo folks who let us use the Freeman building. The organizer for this event is John Snedden KT7P (kt7p19@gmail.com) .We ask all participants to review and fill out a YARC Waiver/Information form. It lets you know your responsibilities as well as YARC's. If you haven't filled out one before, you can find a copy at: <https://www.w7yrc.org/public-service-waive-form/> . Return the filled out form to your event contact. You only have to fill out this form once – it is good for all of our events.

While these enjoyable events support our community, you can also improve your operating skills, test your portable/mobile equipment, and meet different club members - all in beautiful outdoor areas surrounding Prescott. If you are new or inexperienced to these events, the event organizer will pair you up with someone experienced.

You can find the 2025 calendar of public service events on the YARC website at <http://www.w7yrc.org/public-service-events/> .

Yavapai Amateur Radio Club (YARC) — License Classes, 2025 by John Snedden, KT7P

YARC offers classes for the Technician and General class amateur radio licenses several times a year. Classes are held on consecutive Saturdays from 8:30 a.m. until 4:00 p.m. at the Jeep Posse Building, 1200 Commerce Drive, Prescott.

Technician Classes – September 6 & 13

General Classes – **May 3 & 10** and November 1 and 8

Registration is required and can be done on the YARC website: www.w7yrc.org

Click the “Classes” tab to see the schedule, class information, and registration link for 2025.



Yavapai Amateur Radio Club (YARC) — License Testing Sessions, 2025

by David Erlach, N5MB

n5mb@arri.net

rocketdog@dslextreme.com

928.239.1083

2025 In-Person Testing Schedule

Please note that ALL testing sessions require pre-registration. Register by using the following link:

<https://hamstudy.org/sessions/arri/86305/inperson>

6 May (Tues) – Prescott VE Sessions – 5:15 PM – Prescott Public Library
255 E. Gurley Street, Prescott

31 May (Sat) – Yavapai Hamfest Session – TBD – Bradshaw Mountain High School
6901 East Panther Path, Prescott Valley

7 June (Sat) – Yavapai ARC – 9:00 AM – Jeep Posse Bldg.
1200 Commerce Drive, Prescott

8 July (Tues) – Prescott VE Sessions – 5:15 PM - Prescott Public Library
255 E. Gurley Street, Prescott

2 August (Sat) – Yavapai ARC – 9:00 AM – Jeep Posse Bldg.
1200 Commerce Drive, Prescott

2 September (Tues) – Prescott VE Sessions – 5:15 PM - Prescott Public Library
255 E. Gurley Street, Prescott

4 October (Sat) – Yavapai ARC – 9:00 AM – Jeep Posse Bldg.
1200 Commerce Drive, Prescott

4 November (Tues) – Prescott VE Sessions – 5:15 PM – Prescott Public Library
255 E. Gurley Street, Prescott

6 December (Sat) – Yavapai ARC – 9:00 AM – Jeep Posse Bldg.
1200 Commerce Drive, Prescott



2025 YARC Rodeo Volunteers

by John Snedden, KT7P

YARC and volunteering for "The World's Oldest Rodeo" go back for years. We have had a great relationship with the Rodeo and it comes from our volunteering during Rodeo Week. This year the event starts on Monday June 30 and runs through Sunday July 6. The Rodeo only has a few paid staff members, and all the rest of the help comes from volunteers.

In the past years, volunteers: 1) filled out paper waivers; 2) made copies if more than one area is checked; 3) put in the Chairman's mailbox; 4) input the data into the computer; and 5) printed out hard copies. Some didn't get duplicated, some only went to one Chairman, it varied.

This year the registration and waivers are all done online. Each area, parking, ushers, security, ticket takers, etc., each have their own link and the information goes right to the chairperson. You do not have to print or sign the waiver! You can click the link and read it, then when you return to the registration form, check the box that says you agree to the waiver, finish the form and hit the "Send" button. If you want to volunteer in several areas, you need to go to the link for that area and fill out another form. After the first one; the program remembers most of your information and asks if you want to use your prior information. Click "Yes", then fill in a few blanks and check the waiver box again and then hit "Send".

Here is the link:

Volunteer application forms are now completely online!

You can follow the link below which will take you directly to our website where the forms can be found at:

<https://worldsoldestrodeo.com/volunteers/>

If you or anyone you know would like to volunteer but needs assistance with the form please do not hesitate to reach out to Katie at the PFD Rodeo Office: 928.445.3103 or email pdfvolunteers@worldsoldestrodeo.com

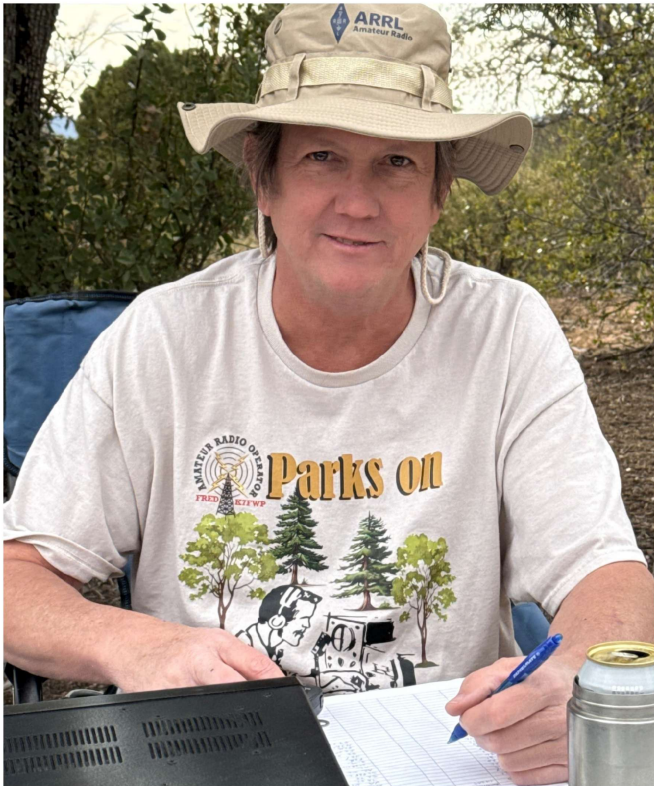
Please note that if you are volunteering for the parade or YARC bartending (June 30), DO NOT USE THE REGULAR LINKS! YARC has two special links that keep the information separate from the regular parade volunteers and real bartenders. When you sign up with John KT7P, you will be given the links in an email.

Thank you for volunteering! It is a great way to give back to the community, and you don't have to count runners or bikers, you will meet some really great people, and you will have a fun time. There is nothing like Rodeo Week!





Transmitter Hunt, April 5, 2025 — Prescott, Arizona
 Top Row, Left to Right: WD7J and AC7AL; Bottom Row, Left to Right: WB9VGJ, WB7RFY, WA6FBA, KK7QHI.
 (Photos courtesy of Fernando Mendigutia, KJ7QHI)



Above: Left — Fred K7FWP; Right — David N7NRE ▲ Parks On The Air (POTA), Prescott National Forest, April 13, 2025
 (Photos courtesy of David Arntz N7NRE)



April 2025 Foxhunt
by John Broughton, WB9VGJ

The April foxhunt was held Saturday, April 5, 2025. The foxes were Jeff WB7RFY, Keith KJ7GTX, and John WB9VGJ.

There were three teams for this hunt:

| | |
|---|------------------------------------------------------------|
| 1 | Rich WB7NRM and Sharon KK7NNK |
| 2 | Robert WA6FBA, Gary K6JXM, Anita AC7AL, Mary Pat KK7QPQ |
| 3 | Pete K6VVR, Jerry K7JRL, Brina (no call), Jeremy (no call) |
| 4 | Byron WD7J and Fernando KJ7QHI |

The results of the hunt were:

| Finish | Team | Time |
|--------|------|---------------|
| 1 | 4 | 37 min. |
| 2 | 1 | 1 hr. 9 min. |
| 3 | 2 | 1 hr. 21 min. |
| DNF* | 3 | — |

* K6VVR's Kraken stopped working. He was not far from the transmitters and called on the phone and was given directions to the hiding spot.

The hiding spot was chosen by KJ7GTX. He had seen the dirt road from the intersection of prescott Lakes Parkway and Highway 89 and figured it would be a good hiding spot. It turned out he was correct. The hiding spot was a location for great views and finding the correct streets to get to the location was a challenge. Three teams found the location and the fourth team was close when its Kraken system broke down. Overall, it was a good hunt.

Congratulations to Team 4 for its success!

Pictures of the hunt can be seen here:

<https://photos.app.goo.gl/6xnsi3Xt3ZzXUQKq5>

Pictures taken by Fernando KJ7QHI can be seen here:

<https://photos.app.goo.gl/NTqj3SEE2JLEaUm2A>

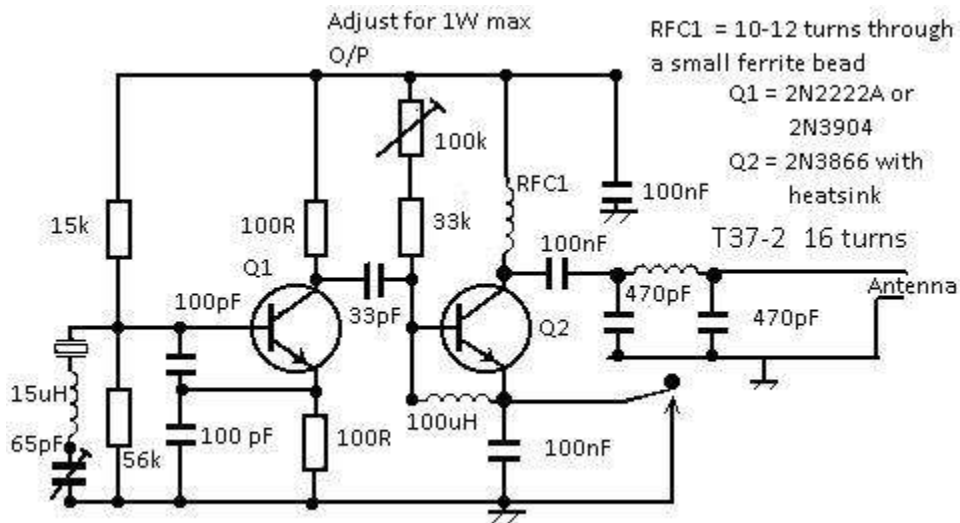
We went to the Prescott Junction restaurant for socializing after the hunt.

We invite anyone interested in foxhunting, especially anyone who has not done it before, to join us.



Antenna Raising Party — March 26, 2025
by Jim Zimmerman, N6KZ

On Wednesday, March 26, 2025, the YARC Elmers Group held an antenna raising party at the home of Bob Scaboo KK7ZNV in Prescott. Comet GP-9 (2M and 70cm) and a Comet-250 (80M to 6M) vertical antennas were installed on the roof of the residence. Members of the crew were: Jim Zimmerman N6KZ; Art Protas KG6AY; John Snedden KT7P; Dave Erlach N5MB; and Frank Bender K8FB. Bob Scaboo KK7ZNV also assisted the crew by previously installing the wall penetration box, lightning arrestors, and buying all of the hardware pieces from Jim Shryne N6DHz of Chino Valley at The DX Store, www.dxstore.com. The above photos show a nimble and fearless Art Protas KG6AY, who, at age 77, still enjoys climbing on rooftops to install radio antennas! (Photos courtesy of Jim Zimmerman N6KZ and Frank Bender K8FB)





Poured cement for an antenna tower base at the home of Bud Winters N7BUD ▲ Prescott Valley, Arizona — April 12, 2025
(Photo courtesy of Bud Winters N7BUD)



“A.I. Bros” Waiting for Golden Corral to Re-open in Prescott, Arizona



**Dan Crouch, KF7DC [ex-KF7TZZ] (SK)
1947 – 2025**

Dan (Darwin Ray) Crouch, KF7DC, age 77, was born in Batesville, Mississippi on November 1, 1947 and passed away on March 16, 2025. He is survived by his wife of 56 years, Nancy Crouch; sister Iva Tatum (Steve) of Broken Arrow, Oklahoma; and sister-in-law Dusti Crouch of Prescott Valley, Arizona; four nephews; and two nieces. He is preceded in death by his parents, Ray and Ernestine Crouch, and brother James Crouch.

Dan met Nancy at Bethany Bible College in Scotts Valley, California in 1966. They were married June 14, 1968. They started their ministry by being youth pastors in McMinnville, Oregon. They pastored in Greenville, Ohio, then traveled as evangelists for two years. They pastored in Middletown, Ohio; Cleveland, Ohio; Mesa, Arizona; and Byesville, Ohio before moving to Prescott Valley, Arizona to pastor at Fountain of Life Community Church (Assemblies of God) in 2001.

He enjoyed being an amateur radio operator, and held an Amateur Extra class license. He served as the net control operator on the Mingus Mountain Repeater Group (K7MRG) Tuesday morning (0600-0700 MST) round-table (147.000 MHz FM, PL +162.2 Hz), and was ever pleased when the participants "had good conversation all around."

He will be missed by family and friends.

A celebration of Pastor Dan's life was held on April 12, 2025 at the church where he was the pastor.

Tariff Surcharge Update - Effective May 8th

We're writing to follow up on last week's message regarding the upcoming 24% tariff surcharge that will be implemented on all invoices beginning May 8th. The surcharge will appear as a separate line item on your invoice rather than being incorporated into the product's base price, which will allow us to remove it should the tariffs be lifted in the future.

How This Affects Your Orders:

- **Current orders:** All items already on order (including back-ordered products) will maintain current pricing without the surcharge.
- **Marine dating program orders:** Orders already in our system will be honored at current pricing regardless of ship date, demonstrating the price-lock benefit of our dating program.
- **New orders:** The surcharge will apply to all new orders shipped on or after May 8th.
- **Future dating:** No new Marine dating orders or additions to existing dated orders can be made without the surcharge.
- **Partial shipments:** For orders placed before May 8th, partial shipments must be accepted, and all in-stock items will ship immediately.
- **Back-orders:** Current orders and those placed before May 8th that include back-ordered items will be invoiced without the surcharge (Icom reserves the right to decline unusually large orders for out-of-stock products).
- **Exports:** For export orders on or after May 8th, arrangements will be made to drop ship from Japan for larger orders and from Canada for smaller orders. These invoices will not be subject to US tariffs.

We recognize the business impact this change may create and are committed to providing timely updates as we receive more information.

Please contact [Sales Admin](#) with any questions.

Thank you for choosing Icom.

The DX Store

sales@dxstore.com

www.dxstore.com



Breakfast and Lunch Gatherings

There are a number of breakfast and lunch gatherings in the area that are open to all radio amateurs and interested persons. Please let us know of any updates or corrections at info@w7yrc.org.

Third Thursday of the Month – **YARC** holds an informal **breakfast** gathering at the **BackBurner** Restaurant at 0800 MST (8 a.m.). The restaurant is at 8400 Long Mesa Drive in Prescott Valley. Contact Don Bauer WB7TPH or Jeff Hanna WB7RFY.

Every Wednesday – Lunch – 1030 MST (10:30 a.m.) at **Costco** – “The Umbrella Club,” now **with** the umbrellas!

Club Officers, 2025

| Officer | Name | Call Sign | Email Address |
|---------------------------|---------------------|-----------|----------------------------------------------------------------------|
| President | Byron Wilkinson | WD7J | president@w7yrc.org |
| Vice President | Steven E. Stock | WAØA | vicepresident@w7yrc.org |
| Treasurer | Matt Williams | KK7QZB | treasurer@w7yrc.org |
| Secretary | Tim Norton | K7PVY | secretary@w7yrc.org |
| Director | John Snedden | KT7P | kt7p@w7yrc.org |
| Director | Jon Mahler | KK7OKE | kk7oke@w7yrc.org |
| Director | Bernard A. Sakowicz | W1RAD | w1rad@w7yrc.org |
| Director | David Erlach | N5MB | n5mb@w7yrc.org |
| Past President / Director | Raymond Kolman | KD7RK | kd7rk@w7yrc.org |
| Editor Emeritus | Joseph Oliver | AC6AA | ac6aa@arrl.net |
| Editor | Loren Singh | AE7CG | ae7cg@arrl.net |
| Webmaster | Robert Reister | WA6FBA | webmaster@w7yrc.org |

Yavapai Amateur Radio Club — W7YRC Club Station Access List — Revised January 17, 2025

Permanent Station Access (defined by YARC role) —

| Name: | Call: | Lic. Class | Notes: | Telephone: |
|-----------------|--------------|-------------------|-----------------|------------------------------------------|
| Byron Wilkinson | WD7J | E | YARC President | 928.288.2342 – Do not contact for access |
| John Snedden | KT7P | E | YCJP Bldg. Mgr. | 909.844.5108 – Do not contact for access |
| Mike Belanger | W1DGL | E | Club Sta. Mgr. | 928.458.9346 – OK to contact for access |
| Pete Morrison | K6VVR | E | W7YRC Trustee | 928.899.8555 – Do not contact for access |
| Bud Semon | N7CW | E | ARES/RACES DEC | 928.899.7400– Do not contact for access |
| Rob Redford | KG7LMI | G | ARES/RACES EC | 623.252.3980– Do not contact for access |
| Jim Zimmerman | N6KZ | E | Elmer Group | 928.713.0542 – OK to contact for access |
| Art Protas | KG6AY | E | Elmer Group | 928.227.2954 – OK to contact for access |

Building Access for Other Reasons (includes station access) —

| | | | | |
|--------------|--------|---|-----------------|------------------------------------------|
| Donald Bauer | WB7TPH | E | VE Chair | 928.775.4690 – Do not contact for access |
| Kathy Laing | KJ6KMK | E | License Classes | 928.778.2526 – Do not contact for access |

Rotating Access (changes every July 1st) —

This category is limited and consists of volunteer members —

| | | | | |
|--------------|-------|---|-----------------|-----------------------------------------|
| Tony Jackson | K6PSR | G | Rotating Member | 562.644.0528 – OK to contact for access |
|--------------|-------|---|-----------------|-----------------------------------------|

Note to YARC Members —

For station access, first try to contact the Rotating Access member.

If you are not able to contact the Rotating Access member, then try to contact the other “OK to contact for access” members.

