



# Yavapai Signal

The Yavapai Amateur Radio Club – Prescott, Arizona – DM-34 – Volume 37 – No. 1 — January 2022

Upcoming Club Events				
Event	Date	Time	Place	Contact / Info:
General Meeting	January 6, 2022 Thursday	1900 MST 7 p.m.	Prescott Rodeo Grounds	Club Website
YARC Breakfast	January 20, 2022 Thursday	0800 MST 8 a.m.	Backburner Restaurant, Prescott Valley	Don WB7TPH or Jeff WB7RFY
Transmitter Hunt	January 8, 2022 Saturday	1300 MST 1 p.m.	OneAZ Credit Union parking lot, Gail Gardner Way & Willow Creek Rd., Prescott	Pete K6VVR or John WB9VGJ
<b>General Meeting Program — See page 3.</b>				
<b>Public Service Events — See page 5.</b>				
<b>Amateur Radio License Testing — See page 5.</b>				

YARC:	Badges	Patches	Shirts
<b>Features:</b>	Name & Call	Club Name & Logo	With or Without Name & Call
<b>Contact Person(s):</b>	Sam Prather K7SCP	Sam Prather K7SCP	Pete Morrison K6VVR
<b>Cost:</b>	\$13.00 each	\$6.00 each	Without Name & Call \$20.00 — With Name & Call \$24.00 each

Club Website Registration
In order to receive the <u>Signal</u> (the club's official newsletter), you must be a member of the club. Make sure your email is correct by logging into our website ( <a href="http://www.w7yrc.org">www.w7yrc.org</a> ), then clicking on the member tab and viewing your profile.

## Welcome to the Yavapai Amateur Radio Club

The Yavapai Amateur Radio Club (YARC) is an ARRL affiliate Special Service Club. The club participates in many activities in the quad-city (Prescott, Prescott Valley, Chino Valley, and Dewey-Humboldt) area by providing communications for local events, emergency communications, and promotion of the hobby throughout the community.

Membership in YARC is open to any interested amateur or non-amateur alike. Dues are \$20.00 per year (full-time students \$15). YARC general meetings are usually at 1900 MST (7 p.m.) on the first Thursday of every month at the Danny Freeman Building, Prescott Rodeo Grounds, 840 Rodeo Drive in Prescott

[www.w7yrc.org](http://www.w7yrc.org)

YAVAPAI AMATEUR RADIO CLUB – PO BOX 11994 – PRESCOTT AZ 86304-1994

### Club Nets

Band	Mode	Frequency	PL	Day or Night	Time
2M 70cm	FM	146.880 MHz 447.650 MHz	- 100.0 Hz	Mon. through Fri.	1300 MST 1 p.m.
2M 70cm	FM	146.880 MHz 447.650 MHz	- 100.0 Hz	Wednesday	1900 MST 7 p.m.
6M	FM	52.060 MHz / I 52.560 MHz / O	- 100.0 Hz	Friday	1830 MST 6:30 p.m.
10M	SSB (USB)	28.444 MHz +/- QRM	N/A	Thursday	2000 MST 8 p.m.
2M 70cm	FM	146.880 MHz 447.650 MHz	- 100.0 Hz	Saturday	0900 MST 9 a.m.

### Yavapai County ARES/RACES Nets

2M	FM	147.260 MHz	+103.5 Hz	Monday	1830 MST 6:30 p.m.
2M	FM	145.290 MHz	-127.3 Hz	Monday	1900 MST 7 p.m.

### Submission Deadline for the Yavapai Signal

from editor Loren Singh, AE7CG

The usual deadline for submission of articles and photos to appear in the Yavapai Signal is the 18<sup>th</sup> calendar day of each month. That gives me time to edit and format submissions, and to have the newsletter available for distribution to the club membership by the 20<sup>th</sup> calendar day of each month. The aim is to have the newsletter in the hands of club members approximately 10 days or so before the holding of the general meetings on the first Thursday of each month.

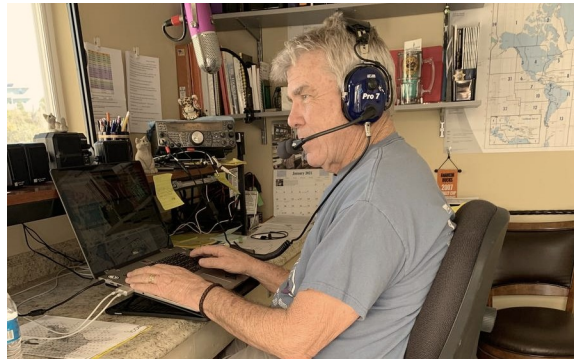
[ae7cg@arrl.net](mailto:ae7cg@arrl.net)

### Share Your Surplus Items

Bring any ham related surplus items that you no longer need to the next club meeting. There will be a table at the meeting where your items can be placed. Let your fellow club member take those things that they want. The table will be available at each monthly meeting.

### Canned Food Donations

Bring your non-perishable food items to the monthly club meetings and Terry Pemberton KB7TRE will take them to the local food bank. Give your bagged items to Terry.



**From the President's Desk**  
by John Snedden, KT7P

Greetings all! Hope you are all having a safe, healthy, and family filled holiday season! The Courthouse Plaza just beams at night almost beacon-like drawing the community towards the center of town. The year 2021 will look really good in the rearview mirror and if the solar index numbers keep climbing, 2022 will look really good from behind the microphone, straight key, bug, paddle, computer or whatever else gives input to your transceiver. A good reason to stay radio active!

The new year 2022 should bring back most of our public service events from March through October. We will be bringing back our hamfest in May followed by Field Day 2022 on the last weekend in June and that leads right into a week of "The Worlds Oldest Rodeo" and the July 4 parade and celebrations. We honor the Granite Mountain Hot Shots with our special event Station N7GMH on June 30 each year, and we are trying to obtain a special call for our yearly world-wide NRA birthday celebration hosted by our friends at the Gunsite Training Academy and the Yavapai County Jeep Posse. Our ARES/RACES group will continue to work with the Yavapai County Office of Emergency Management, conduct training via the public service events and planned exercises. Our Elmers, mentors, and volunteer examiners will continue to conduct site surveys, install and remove equipment, and provide insight and guidance in our amateur radio hobby. We will continue to keep our repeaters up and running and continue our daily and weekly nets.

And we haven't even scratched the surface with our radio active youth! We will be seeking outside funding for the Youth Radio Science program, working with the PUSD and STEM and STEAM programs, formalizing a youth radio club and establishing a youth net for on-the-air time for the licensed youth. We have an active core and need to build on what has been started. Our future looks very bright when working with this group! Step up and feel young again.

So, the new year 2022 promises to be a full and busy year for the Yavapai Amateur Radio Club. To make all this happen we need YOU! I am looking for volunteers to jump on board this year and tag along with those who have been holding down the fort for the last few years. We need public service event coordinators, a Field Day 2022 chairperson, club station manager, Jeep Posse liaison, hamfest 2023 chairperson, as well as Elmers, mentors and volunteer examiners. Contact any board member or officer for more information.

Stay safe, be healthy, have a wonderful holiday with family and friends and be radio active!

**General Meeting Program — January 6, 2022**  
by Mike Reid, WU7V

"Is there a best way to log your HF contacts? "

We will use some videos to get things started; then, you can tell us which way is the best. Tech breakout Zoom sessions will feature some logging programs.

## Meeting Minutes

By decision of the board of directors, minutes of the board and general meeting minutes will no longer appear in the Yavapai Signal. They are posted online at the club's website.

[www.w7yrc.org](http://www.w7yrc.org) → Members → Login → Reports

- |
- Board Minutes
- Club Minutes

## Mentor Buddies — Revised April 7, 2021

Name	Call Sign	E-mail	Telephone
Don Bauer	W7TPH	<a href="mailto:dbauer2250@aol.com">dbauer2250@aol.com</a>	928.775.4690
Art Protas	KG6AY	<a href="mailto:kg6ay.dm34@gmail.com">kg6ay.dm34@gmail.com</a>	928.227.2954
Jerry Warzeha	KØFC	<a href="mailto:jerry.warzeha@hotmail.com">jerry.warzeha@hotmail.com</a>	612.205.3810
Bill Noe	WG7W	<a href="mailto:wg7w@arrl.net">wg7w@arrl.net</a>	928.710.6925
Mike Belanger	W1DGL	<a href="mailto:fix_broke_airplanes@hotmail.com">fix_broke_airplanes@hotmail.com</a>	928.710.2565
Ron Purcell	KI7EVK	<a href="mailto:728rwp@gmail.com">728rwp@gmail.com</a>	707.849.7099
Jack Szelka	AI1K	<a href="mailto:radioaik@gmail.com">radioaik@gmail.com</a>	401.580.0330
Mike Reid	WU7V	<a href="mailto:mdr126@gmail.com">mdr126@gmail.com</a>	480.250.6093
Sandy Meadowcroft	KF4JHC	<a href="mailto:sandymeado2@yahoo.com">sandymeado2@yahoo.com</a>	928.660.8323

## Supporting ARES/RACES by John Snedden, KT7P

YARC members can assist ARES/RACES by donating to the non-profit organization, FOYCAR (Friends of Yavapai County ARES/RACES). The easiest and least painful way is via the Amazon Smile Program.

When you shop at Amazon, instead of going to [amazon.com](http://amazon.com), go to <https://smile.amazon.com/>. On your first visit to [smile.amazon.com](https://smile.amazon.com/), you will be asked to select a charity — search on a key words like “ARES RACES” or “Yavapai” and select the “Friends of Yavapai County ARES/RACES, Inc.” Amazon will donate 0.5% of all your eligible purchases to FOYCAR without changing the price you pay. You can find out all the details at [https://smile.amazon.com/gp/chpf/about/ref=smi\\_se\\_rspo\\_laas\\_aas](https://smile.amazon.com/gp/chpf/about/ref=smi_se_rspo_laas_aas).

## For Sale: MA-40 Crank-up Tubular Towers

- Base Kit for MA-40
- All items new and in original packages, includes Manual and additional information
- 40 feet high when fully extended, 22 feet when fully cranked down
- Buyer must provide own transportation

Asking \$2000.00 or less — negotiable

Contact: Ken WA6AQK, 928.778.7490  
[dancingken27@gmail.com](mailto:dancingken27@gmail.com)

## 2022 Public Service Events Waiver Form

It's time to begin completing your Public Service Events Waiver Form for 2022. Go to <https://www.w7yrc.org/public-service-waiver-form/> to download and complete the fillable form that was created by Don Sears N7PLL. Once completed, email the form to Frank Bender K8FB ([fnb47@hotmail.com](mailto:fnb47@hotmail.com)).

**Note:** This form only needs to be completed once in 2022.

We have dates for many of our 2022 public service events that begin in April. You can find the calendar of public service events on the YARC web site at <http://www.w7yrc.org/public-service-events/>. We look forward to your participation in the club's public service events in 2022.

### Upcoming License Testing by Don Bauer, WB7TPH

Good news for all looking to get licensed or to upgrade. The FCC Application Fee that we have been warning about will not go into effect until sometime during 2022 — date yet to be determined. So, save \$35 and get the license before then.

A note to all our Technician licensees: Upgrading to General is not that difficult and it is very rewarding. We have mentors and classes to help. Try it, you'll like it!

#### Upcoming License Testing

Date	City	Location	Time	Sponsor	Contact	Walk-in
01/04/22	Prescott	Prescott Christian Church, 501 S. Senator Hwy	1800 MST 6 PM	ARRL Ham Exams	Jim Scherfling 928.632.2050	No
02/05/22	Prescott	Jeep Posse Building	0900 MST 9 AM	YARC	Don Bauer 928.775.4690	No
03/01/22	Prescott	Prescott Christian Church, 501 S. Senator Hwy	1800 MST 6 PM	ARRL Ham Exams	Jim Scherfling 928.632.2050	No

### FREE PDF Technician Class License Study Guide

#### *No Nonsense Technician Class License Study Guide*

by Dan Romanchik, KB6NU

(For tests given between July 2018 and June 2022)

Download at:

<https://www.kb6nu.com/wp-content/uploads/2018/11/2018-no-nonsense-tech-study-guide-v1-1.pdf>



### January Grand Prize Raffle Ticket Drawing

We will be selling 2022 Prescott Hamfest Grand Prize Raffle Tickets at the January 6, 2022 YARC general meeting. Anyone who purchases at least \$10 of raffle tickets will have their name entered for a drawing for \$20 worth of grand prize raffle tickets. Your name and call will be entered in the drawing for each \$10 worth of tickets that you purchase for that month.

The ticket drawing will take place after the meeting break. We are doing this ticket drawing for tickets purchased during the month prior to the meeting or at the meeting. We will be doing this each month through the May YARC meeting. Tickets are \$1 each or 12 for \$10. The grand prize drawings will be held on Saturday, May 14th beginning at 11:30 a.m. at the Granville Elementary School. You do not have to be present to win the grand prizes.

If you wish, you can also purchase grand prize raffle tickets online. Go to <http://hamfest.w7yrc.org/> to see the list of grand prizes and purchase your tickets using PayPal or a credit card. If you attend YARC meetings, the tickets will be given to you then. If not, the tickets will be held until the day of the hamfest for you – or filled out and entered for you prior to the drawing.

### Parks On The Air (POTA) Request

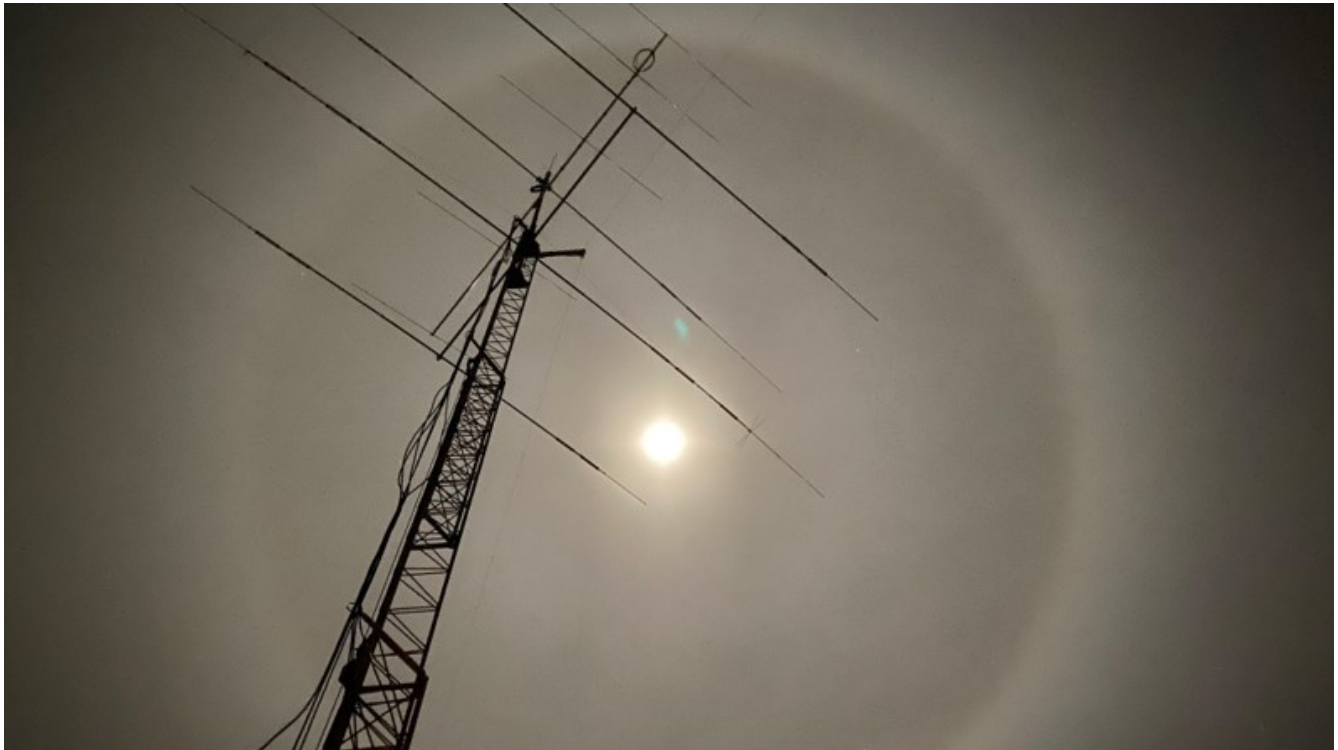
by Mike Bennett, KJ7QGB

I would like to operate a POTA station at Dead Horse Park sometime between January and March 2022. Are there any YARC members who would like to join me?

Camping is available at the park. However because of personal health issues, I will only be able to be there for one day. Should you like to camp, you can make your own arrangements; or perhaps I can inquire about available campsites and costs.

Contact me by email at:

[olepeteanv@gmail.com](mailto:olepeteanv@gmail.com)



W7YRC Antenna and the Night Sky, November 20, 2021  
(Photo courtesy of Mike Belanger, W1DGL)



**December 2021 Foxhunt**  
by John Broughton, WB9VGJ

The November foxhunt was held Saturday, December 4, 2021. Robert WA6FBA was the fox.

There were four teams for this hunt:

<b>1</b>	Jeff WB7RFY, Keith KJ7GTX, and John WB9VGJ
<b>2</b>	Pete K6VVR, Jerry KF7FPD, and Gary K6JXM
<b>3</b>	Don KI7IOM and Richard KG6TRD
<b>4</b>	Mike WU7V, Steve KG7SDY, Richard WB7NRM, and Sharon (no call sign)

The results of the hunt were:

Finish	Team	Time
1	3	1 hr. 3 min.
2	2	1 hr. 4 min.
3	1	1 hr. 11 min.
DNF	4	—

The foxes chose a good spot for hiding the transmitters. It was at a trailhead on the south side of Acker Park. One of the teams did not finish, but the other three had close times with the winning team taking just one minute less than the 2nd place team.

Our team had some trouble finding just how to get to it. I took many bearings with the SigTrax app on my smartphone. Some were somewhat off of where the transmitters were, but several were very close with a couple crossing each almost right at the primary transmitter: See the screenshot I took of the app on my cellphone in the pictures below.

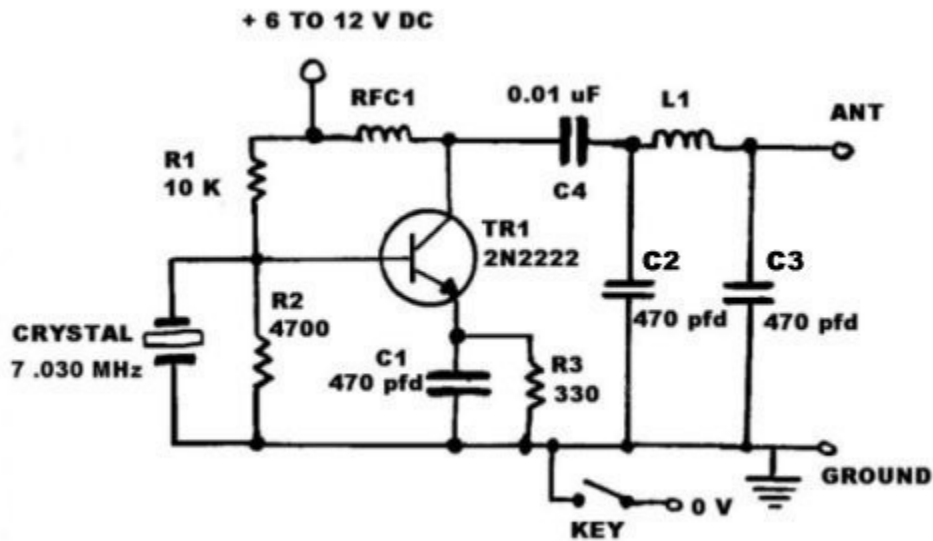
One problem is they seemed to indicate the transmitter was on the west side of the park or in the cemetery; you can see several bearing cross points on my screenshot showing the west side of the park. We checked that out and discovered we were still west of the transmitters. It took a bit of driving to go several blocks back north and a few blocks east and then south. Then, it took a couple of readings to figure out we were east of the transmitter. I then noticed the parking lot at the trailhead on the app and figured that was the location of the transmitters, which proved to be correct.

You can see pictures of the hiding site here:

[tinyurl.com/YARCFoxhuntDec2021](http://tinyurl.com/YARCFoxhuntDec2021)

We went to the Prescott Junction restaurant for after-the-hunt socializing and telling of tall tales.

We invite anyone interested in foxhunting, especially anyone who has not done it before, to join us. Those new to the hobby can ride with an experienced hunter. We always have a good time, win, lose or draw.



### The YARC Storage Shed by Jim Zimmerman, N6KZ

After receiving delivery of the shed from the manufacturer (Weather King), we then placed it on the grounds of Prescott's Pioneer Park, in the Yavapai County Sheriff Posse Compound. There, we insulated, installed 3/8" plywood, and painted the shed's interior walls to better protect the equipment being stored within. This treatment also made the shed an all-season shelter for any emergency amateur radio operations. The shed is located only 100 feet away from our YARC club station (W7YRC) and is readily accessible (24/7) for any use (emergency communications, Field Day, etc).

As originally proposed, this shed will be used by three local radio groups: YARC; the Yavapai County ARES/RACES group; and the Yavapai County Jeep Posse ARC, for a wide variety of public service uses.

Our deep appreciation to the ARCA folks who so generously supported this Club Project with AZ state ham license plate funds.

**Note:** The photos on the next page are courtesy of Jim Zimmerman, N6KZ. The top photo shows YARC President John Snedden KT7P standing by the front door of the shed. The lower photo shows Jim Zimmerman N6KZ standing by a shelf of YARC amateur radio equipment stored in the shed.





Jim Zimmerman N6KZ at Antenna Installation Event  
(Photo courtesy of Jim Zimmerman, N6KZ)

**Elmers Install Tower and Antenna  
by Jim Zimmerman, N6KZ**

On December 7, 2021 the YARC Elmers Group installed a Rohn 25 tower and Stationmaster 440 MHz vertical antenna for Don KB6BOB. Members of the group at the installation event were: Dave N5MB; Danny W7NMO; John KT7P; Frank K8FB; and Jim N6KZ.

T-Hunt Schedule, 2022  
by Robert Reister, WA6FBA

January 8 — Saturday  
February 5 — Saturday  
March 6 — Sunday  
April 9 — Saturday  
May 7 — Saturday  
June 5 — Sunday

July 9 — Saturday  
August 6 — Saturday  
September 4 — Sunday  
October 8 — Saturday  
November 5 — Saturday  
December 4 — Sunday

**Breakfast and Lunch Gatherings**

There are a number of breakfast and lunch gatherings in the area that are open to all radio amateurs and interested persons. Please let us know of any updates or corrections at [info@w7yrc.org](mailto:info@w7yrc.org).

**Third Thursday** of the Month – **YARC** holds an informal **breakfast** gathering at the **BackBurner** Restaurant at 0800 MST (8 a.m.). The restaurant is at 8400 Long Mesa Drive in Prescott Valley. Contact Don Bauer WB7TPH or Jeff Hanna WB7RFY.

**Second Tuesday** of the Month – **Quarter Century Wireless Association (QCWA)** brunch gathering, 1030 MST to 1230 MST (10:30 a.m. to 1230 noon) at the **Golden Corral** Restaurant in Frontier Village in Prescott, off SR-69. You do not have to be a QCWA member to attend.

**Every Monday** – **Dan Nichols (W6SAK SK) Memorial Lunch**, starting at 1145 at roving locations.  
Contact Bob Rosevear WB7RRQ, 928.458.7830 for more information.

**Every Wednesday – Lunch** – 1045 MST (10:45 a.m.) at **Costco** – “The Umbrella Club,” now without the umbrellas!

## The DX Store

[sales@dxstore.com](mailto:sales@dxstore.com)

[www.dxstore.com](http://www.dxstore.com)



## A Wikipedia for Ham Radio? by Dan Romanchik, KB6NU

I and co-author David Sawicki, WA3DS, have just published the Ham Radio Reference. The book took quite a while to write because there's quite a bit of information in it. Not only does it contain an extensive glossary of amateur radio terms, there are chapters on:

- CW abbreviations and Q signals.
- Amateur radio bands and frequency allocations.
- Call district, U.S. section, ITU region, and CQ region maps.
- Part 97 rules.
- DX Code of Conduct.
- Traffic handling.

The technical reference section includes information on:

- Units of measurement.
- Scientific notation
- Ohm's Law, power, and decibels.
- Frequency, wavelength, and antenna lengths.
- Resistor color code.
- Schematic symbols.
- Wire and coaxial cable data.
- Data communications interfaces.

The book is available in both PDF (<https://www.kb6nu.com/product/ham-radio-reference/>) and Kindle (<https://www.amazon.com/Ham-Radio-Reference-David-Sawicki-ebook/dp/B09MC7WFWV/>) versions.

Publishing this book got me thinking about another idea, though. After I sent copies to my colleagues at Amateur Radio Digital Communications (<https://www.ampr.org>), Rosy, KJ7RYV, our executive director, emailed me:

"Dan, this is great! Thank you.

I wonder...what if we made a page on our website that was just a set of links to references like this. It could be helpful, especially for beginners. What do you think?"

At ARDC, we had just created a list of other amateur radio resources for internal use, and I had a similar thought about putting that list online. The list reminded me of the AC6V website (<http://ac6v.com/>), which included all kinds of good stuff for radio amateurs. Unfortunately, as is noted on the website, "AC6V.com is an archive of Rod/AC6V's webpages, and is no longer being updated."

Rod, AC6V, passed in 2008 and many of the links on AC6V.Com are now dead, and much of the information is outdated. And, there are a lot of new resources—like our new book—that are missing. Since there aren't any other encyclopedic resources for ham radio—at least none that I know of—I am proposing that we form a group to develop a "Wikipedia for ham radio." It would be a lot of work, but if we could recruit a community of editors, then it might be doable. In addition, a group effort would be a lot more dynamic and sustainable than a one-person effort.

So, I'm throwing this out there. Do you think it's worth creating an up-to-date AC6V.Com? Should it be a wiki or perhaps some other kind of website? Would you be willing to help? If so, send me an email ([cwgeek@kb6nu.com](mailto:cwgeek@kb6nu.com)). If there's enough support for this idea, perhaps we could get the ball rolling after the first of the year.

=====

Dan Romanchik, KB6NU, is the author of the KB6NU amateur radio blog (KB6NU.Com), the "No Nonsense" amateur radio license study guides (<https://KB6NU.Com/study-guides/>), and often appears on the ICQPodcast (<https://icqpodcast.com>). When he's not thinking up crazy ideas like a Wikipedia for ham radio, he operates CW on the HF bands and plays around with software-defined radio.



### Club Officers, 2022

Officer	Name	Call Sign	Email Address
President	John Snedden	KT7P	<a href="mailto:president@w7yrc.org">president@w7yrc.org</a>
Vice President	Mike Reid	WU7V	<a href="mailto:vicepresident@w7yrc.org">vicepresident@w7yrc.org</a>
Treasurer	Sam Prather	K7SCP	<a href="mailto:treasurer@w7yrc.org">treasurer@w7yrc.org</a>
Secretary	Tim Norton	K7PVY	<a href="mailto:secretary@w7yrc.org">secretary@w7yrc.org</a>
Director	Jane Lurette	K7ZHF	<a href="mailto:goodtrails73@gmail.com">goodtrails73@gmail.com</a>
Director	Ron Levine	—	—
Director	Ray Kolman	KI7COM	<a href="mailto:spudzman@gmail.com">spudzman@gmail.com</a>
Director	Mike Schnell	NC7X	<a href="mailto:nc7x@w7yrc.org">nc7x@w7yrc.org</a>
Editor Emeritus	Joseph Oliver	AC6AA	<a href="mailto:joliver@cableone.net">joliver@cableone.net</a>
Editor	Loren Singh	AE7CG	<a href="mailto:ae7cg@arri.net">ae7cg@arri.net</a>
Webmaster	Robert Reister	WA6FBA	<a href="mailto:webmaster@w7yrc.org">webmaster@w7yrc.org</a>

### Yavapai Amateur Radio Club — W7YRC Club Station Access List — Effective January 1, 2021

#### Permanent Station Access (defined by YARC role) —

Name:	Call:	Lic. Class	Notes:	Telephone:
John Snedden	KT7P	E	YARC President	909.844.5108 – Do not contact for access
Frank Bender	K8FB	E	Station Manager	928.379.5575 – OK to contact for access
Pete Morrison	K6VVR	E	W7YRC Trustee	928.899.8555 – Do not contact for access
Bud Semon	N7CW	E	ARES/RACES DEC	928.899.7400– Do not contact for access
Rob Redford	KG7LMI	G	ARES/RACES ED	623.252.3980– Do not contact for access
Jim Zimmerman	N6KZ	E	Elmer Group	928.713.0542 – OK to contact for access
Art Protas	KG6AY	E	Elmer Group	928.227.2954 – OK to contact for access
Doug Freeman	KV8TD	E	N7GMH Trustee	928.759.0958 – Do not contact for access

#### Building Access for Other Reasons (includes station access) —

Donald Bauer	WB7TPH	E	VE Chair	928.775.4690 – Do not contact for access
Kathy Laing	KJ6KMK	E	License Classes	928.778.2526 – Do not contact for access

#### Rotating Access (changes every July 1<sup>st</sup>) —

#### This category is limited and consists of volunteer members —

Mike Belanger	W1DGL	E	Rotating Member	928.710.2565 – OK to contact for access
Jim Custer	WØHJ	E	Rotating Member	507.720.4053 – OK to contact for access
Tony Jackson	K6PSR	G	Rotating Member	562.644.0528 – OK to contact for access

#### Note to YARC Members —

**For station access, first try to contact the Rotating Access members.  
If you are not able to contact the Rotating Access members, then try to contact the other “OK to contact for access” members.**